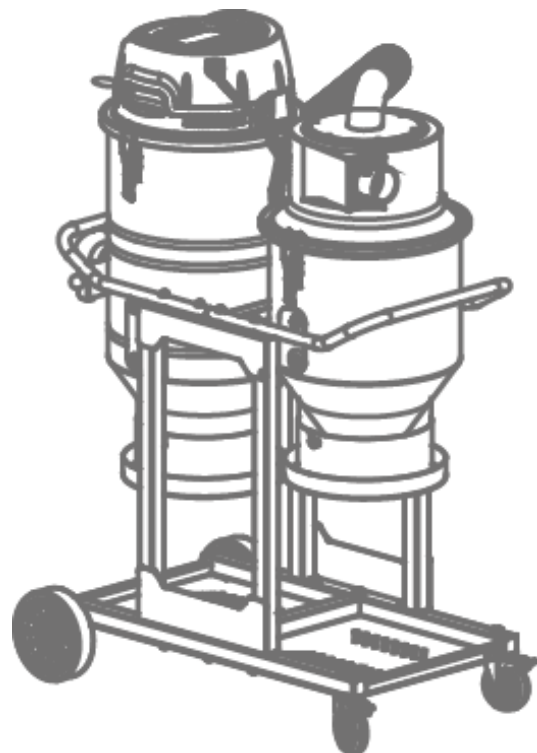


° Â» ¼ĐÒ×ØÔâ ¨Ä°

1103PS Pre-Sep Vacuum Operation Manual



INTRODUCTION

Thank you for choosing the ASL 1103PS Industrial Vacuum Cleaner with Pre-Separator, a high-quality product based on the newest state-of-the-art technology. We hope that this device will be to your satisfaction and meet your expectations.

NOTICE!

1. These instructions are for only the 1103PS Industrial Vacuum Cleaner with Pre-Separator only.
2. The 1103PS Vacuum is integrated with a built-in pre-separator and capable of extracting small and large amounts of dust, especially from floor grinding and polishing. The cyclone pre-separator can filter out more than 98% of fine dust particles, to protect the filters in the vacuum and extend the life time of the machine. This vacuum is suitable for picking up dry, non-flammable dust and debris in an indoor environment. It is not suitable for picking up liquids.
3. Please pay particular attention to the safety regulations and safety instructions
4. Read the complete instruction manual before using.
5. All spare parts and accessories used with this device must be those specified by ASL Machines.
6. Check before and after use that all the switches are in OFF position.

Environmental protection

The packaging material can be recycled. Please do not dispose the packaging material into household waste; please recycle only.

Used devices contain valuable materials that can be recycled. Batteries, oil, and similar substances must not be dispersed into the environment. Please dispose of your used devices using the appropriate collection protocol.

1. SAFETY INSTRUCTIONS

When using an electrical appliance, basic precautions should always be followed, including the following:

WARNING - To reduce the risk of fire, electric shock or injury:

- Cords damaged through crushing or splitting can be dangerous if used and should be replaced immediately.
- Make sure the assembly area is stable and on a flat surface, so the vacuum does not tip over.
- There is a risk of pinching when handling the toggle fasteners.
- This machine must not be used in environments where explosive gases may be present. Serious risk of explosion.
- Improper connection of the equipment/grounding conductor can result in a risk of electrical shock. Check with a qualified electrician or service person if you are in doubt as to whether or not the outlet is properly grounded. Do not modify the plug provided with the machine. If it will not fit the outlet, have a proper outlet installed by a qualified electrician.
- Before using the machine, make sure that the power & voltage corresponds with the voltage shown on the machine label.
- Do not leave machine unattended while plugged in. Unplug cord from outlet when not in use and before cleaning or servicing machine.
- Do not use outdoors or on a wet surface, this machine is for indoor and dry use only.
- Do not allow anyone to use as a toy. Close attention is required when being used around children.
- Use only as described in this manual. Use only manufacturer-recommended attachments.
- Operators should be adequately instructed on the use of this machine.
- This machine is not intended for use by persons (including children) with physical or mental disabilities, or lack of experience and knowledge.
- Do not use with damaged cord or plug, if the machine is not working as it should, has been dropped, damaged, left outdoors or dropped in water.
- Do not pull or carry by the cord, use the cord as a handle, close a door on the cord, or pull the cord around sharp edges or corners. Do not run the machine over the cord. Keep the cord away from heated surfaces.
- Do not unplug the machine by pulling on the cord. To unplug, grasp the plug. Not the cord.
- Do not handle the plug or machine with wet hands.
- Regularly inspect the cord and plug for damage. If the cord is damaged, it must be replaced by a qualified person in order to avoid risk of injury.
- Do not put any object into the openings. Do not use this machine with any openings blocked (except during filter cleaning procedure). Keep free of dust, hair and anything that may reduce airflow.
- Keep hair, loose clothing, fingers and all parts of the body away from openings and moving parts.
- Turn off all controls before unplugging.
- Do not use this machine to pick up flammable or combustible liquids, such as gasoline, or use in areas where these things may be present.
- Do not pick up any type of liquids.
- Do not pick up anything that is burning or smoking, such as cigarettes, matches or hot ashes.
- Use extra care when cleaning on stairs.
- Do not use without a dust bag and/or filters in place. Replace the collection system and/or filters as described in manual.
- If using an extension cord make sure the cord rating is suitable for this machine.
- Do not modify the machine from its original design.
- Keep children and unauthorized persons away from machine when in use.
- All repairs must be performed by a qualified service person. Use only manufacturer-supplied or equivalent replacement parts.
- Do not expose machine to rain or moisture. Store indoors only.
- Connect to a properly grounded outlet only. See grounding instructions.

THERMAL PROTECTION

The 1103PS Vacuum is equipped with a safety thermal protector to prevent the motor from overheating. Should the thermal protector activate, turn off the machine, unplug the power cord and check for a full dust bag, clogged vacuum hose or filter. It may take up to 45 minutes for the thermal protector to reset.

GROUNDING INSTRUCTION

The 1103PS Vacuum must be grounded. If it should malfunction or breakdown, grounding provides a path of least resistance for the electric current to reduce the risk of electric shock. The vacuum is equipped with a cord which includes an equipment-grounding conductor and grounding plug. The plug must be inserted into an appropriate outlet that is properly installed and grounded in accordance with all local codes and ordinances.

2.UNPACKING

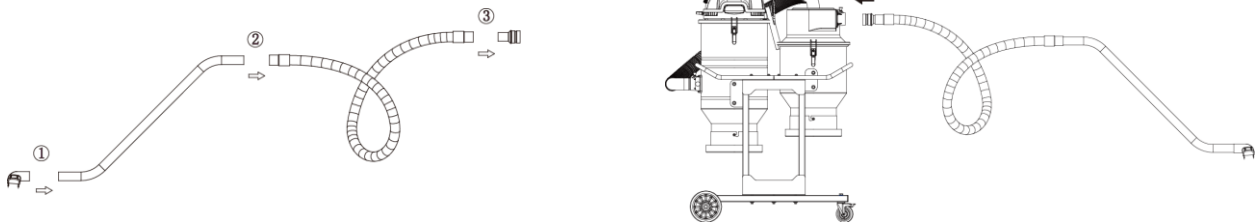
When unpacking the machine, please check that the following accessories are included:

- ✓ The hose with end fittings
- ✓ Wand
- ✓ Floor brush

If any of the above-mentioned parts are missing, please contact your local distributor or ASL Machines USA. For models that do not already have the front casters assembled due to packaging limitations, assemble the front casters using the using bolt or nut and washer that are included in the package depending on your application.

Protect the environment:

Please dispose of any packaging materials and used machine components in an environmentally safe manner according to local disposal regulations. Always remember to recycle.



1. Connect the floor brush and wand
3. Connect the hose and adaptor

2. Connect the Wand and hose
4. Connect the accessories kit and the inlet

Note: Avoid rolling or twisting the hose when working.

3. FUNCTION

The machine is designed for vacuuming and separating dry, non-combustible dust with an explosion limit value of 0.1mg/m³.

The vacuum is started by the switch. All the switches can operate independently.

- “0” Motor off
- “1” Motor on

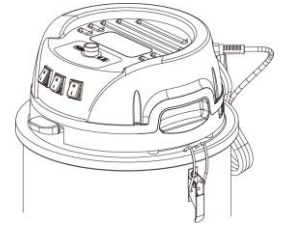
User can choose to use only 1 or 2 motors, respectively.



Notice !!!

Before connecting the power, please confirm that the voltage is consistent with the label on the machine.

- Make sure the electric plug and socket are matching
- Make sure the hose and inlet are matching
- Connect the accessories and hose end



Notice !!!

- Turn on the machine until the motor stop working completely.
- Please disconnect the plug when the machine doesn't work.

Dust-laden air is then sucked through the inlet valve at a high speed via the suction hose. The air is slowed down by the cyclone and coarse dust particles are filtered out, partially by centrifugal force and partially by gravity. Air and finer particles then pass through the double filter system for further separation. The machine is designed for filter cleaning by means of reverse air pulsing. The separated dust accumulates in the cyclone until the machine is switched off, when it drops through the bottom flap into the plastic bag. The filter cleaning process is not completed until it is clear that the dust inside the tank has fallen down into the collection bag. In some extreme cases the dust must be broken up manually. This can be done by hitting the dust through the bag or by tapping the tank using (for example) a rubber hammer.

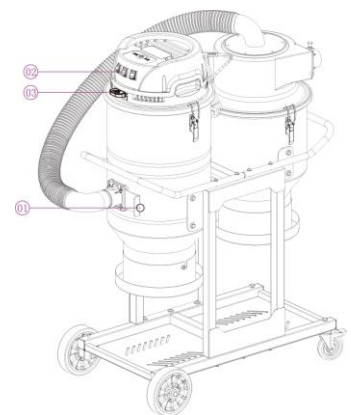
4. FILTER CLEANING

The filter must be cleaned frequently. This must be done prior to changing the bag collection system, when work is completed or when there is poor suction. The 1103PS vacuum provides its users with a double filter:

Jet pulse filter cleaning---1103PS

Procedure:

1. Push the damper to the left, cover the inlet.
2. Turn on the machine and wait 3 seconds, let the machine build up suction.
3. Quickly push down on the key and wait 3 seconds.
4. Repeat the procedure five times.
5. Turn off the motor and wait until it stops completely, then uncover the inlet.



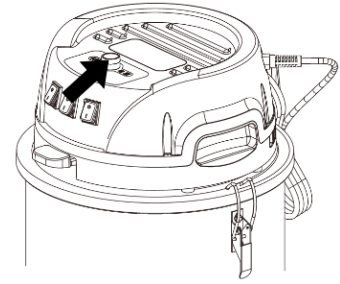
!!! It is important to let the machine rebuild the suction in between every repetition.

Motor driven filter cleaning ---1103PS

Procedure:

Turn off the motor, press the top button for 15–20 seconds.

If suction remains poor, the HEPA filters need to be replaced. See instructions in chapter 6.



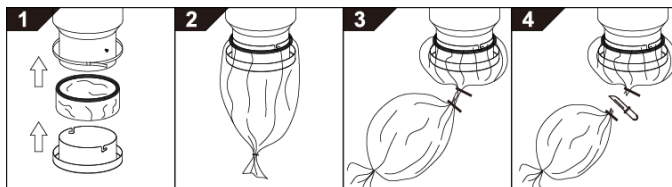
5. DUST STORAGE SYSTEM

The vacuums are mainly equipped with a continuous folding bagging system (Longo-Pac) for effective dust storage or a regular plastic bag system depending on model. The continuous bag is a 22m long plastic tube that will be divided into plastic bags using the zip ties attached with the machine.

To assemble a new Longo-Pac:

Release the belt holding the previous bag. Remove the holder, put in a new bag & pull the inner end upwards. Attach the holder onto the machine and strap the opening facing upwards using the belt. Pull down the outside end and close it using a zip tie. vacuums can be used with Longo-Pac bags for single use. All models can be fitted with the Longo-Pac system.

To operate the continuous bag:



1. Assemble the Longo-Pac, turn on the machine.
2. Turn off the machine, the dust will drop down to the bags.
3. Use a zip tie to seal the bag
4. Cut the bag

6. FILTER CHANGE

Loosen the 3 clamps and remove the top. Take the bag from the new filter. Lift out the filter and place it gently in a plastic bag. This bag must be properly disposed of. Promptly insert a new filter.

Important:

If you are removing the filter in order to clean it, hitting the filter with force or use of compressed air will destroy it. The filter can handle water, but pressure washing will destroy it.

Risk of dust dispersion – Use personal safety equipment. Unhealthy dust can be spread during filter change. Accordingly, the user should wear protective glasses, protective gloves, and a protective breathing mask.



WARNING

Remember to switch off the machine and pull the plug out of the outlet before servicing.

7. SERVICE

- When cleaning and servicing the machine, be sure to switch off the machine and remove the plug from the outlet.
- Avoid cleaning with a high pressure cleaner if not necessary. If so, do not direct at the openings on the machine, especially the opening for cooling air.
- Before moving the machine from the work area, the machine must be cleaned.
- All other equipment must be regarded as contaminated and be treated thereafter.
- If possible, use a special suitable room.
- Proper personal protective equipment must be used. Dust can spread when the coarse filter and the absolute filter are replaced and can be hazardous to health. Accordingly, the user should wear protective glasses, protective gloves, and a protective mask.
- All parts which are contaminated after servicing must be properly disposed of in plastic bags according to regulations.
- If the machine has to be used for other purposes, it is extremely important that the machine is cleaned to avoid the spread of hazardous dust.
- Do not puncture the HEPA filter due to risk of dust dispersion.

8. WARRANTY

All ASL devices and accessories have a 12-month factory warranty starting from the date of manufacturing on the machine. Do not attempt to repair the suction apparatus without the consent of the manufacturer.

The warranty does not cover defects such as normal wear and tear, negligence, defective use, unauthorized repair or the suction apparatus being connected to the incorrect voltage.

In the event of any complaint, the suction apparatus or an agreed part of it must be returned to us or our authorized representative for warranty examination and for any warranty repair or replacement.

9. TROUBLESHOOTING

The 1103PS vacuums are designed and manufactured for hazardous environments and tasks, but please note that the machine must be protected from knocks and blows. Filter, seals, attachments, and connections are carefully adapted and selected with regard to the operator's work environment. Therefore, the operator and service personnel must treat the machine with care in order to maximize machine longevity.

| Issue | Cause | Solution |
|--|--|-----------------------------|
| Motor doesn't start | No Power | Plug in machine |
| | Defective cord | Replace cord |
| | Defective switch | Replace switch |
| | Defective soft starter | Replace soft starter |
| Motor stops immediately after starting | Wrong fuse | Connect to correct fuse |
| | Shortcut in cable/machine | Order service |
| Motor runs but there is no suction | Hose not connected | Connect hose |
| | Hose clogged/blocked | Clean hose |
| | No Longo – Pac | Fit Longo – Pac |
| Motor runs but poor suction | Puncture in hose | Replace hose |
| | Filter clogged | Clean filter/Replace filter |
| | Loose top cover | Secure top cover |
| | Defective gaskets | Replace affected gaskets |
| Dust blown from motor | Wrongly assembled or damaged filter system | Adjust/Replace filters |
| Abnormal noise | | Order service |



Notice ! ! ! _____

Any other problem please contact ASL Machines USA

ASL Machines USA

Tel: +1 (866) 275-0446

www.ASLMachinesUSA.com

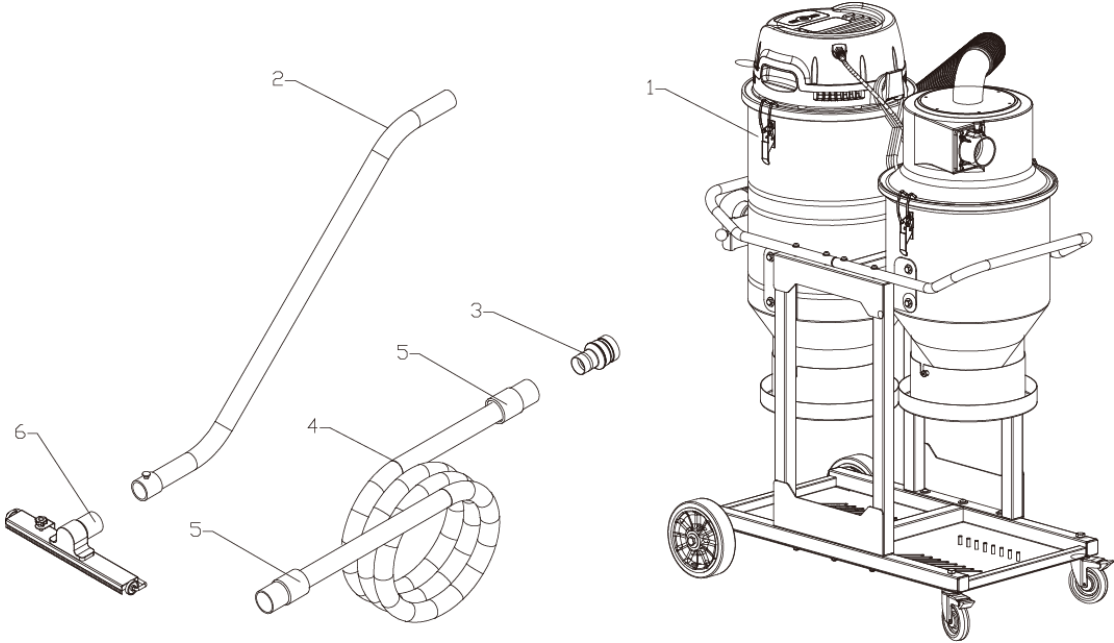
9328 Wheatlands Rd Ste. A, Santee, CA 92071

10. TECHNICAL DATA

| Data | Unit | 1103PS |
|------------------------|-------------------|---------------------------|
| Voltage | V | 110V |
| Power (max) | KW | 2.4 |
| | HP | 3.2 |
| Current(UL) | A | 16 |
| Airflow(max) | m ³ /h | 485 |
| | cfm | 285 |
| Vacuum(Max) | mBar | 176 |
| | inch | 72 |
| Hose | Metric(mm) | 7.5mx D50 |
| | USCS (inch) | 24.6' x 2' ' |
| Inlet | Metric (mm) | 70 |
| | USCS (inch) | 2.8' ' |
| Filter capacity | %@0.3 μm | 99.5 |
| Filter cleaning | Type | Jet pulse filter cleaning |
| Dust collection system | Type | Longo - Pac |
| Dimensions (L*W*H) | Metric(mm) | 650X1030X1460 |
| | USCS (inch) | 25.7" X40.5" X57.5" |
| Weight | Metric(kg) | 80 |
| | USCS (lbs) | 182 |

1103PS

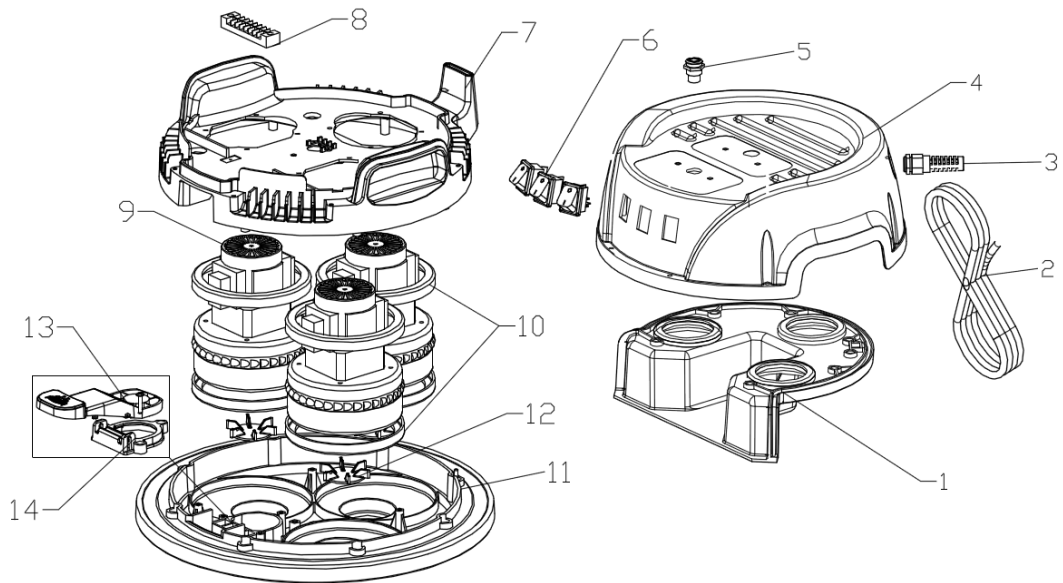
Parts list



| S/N | P/N | Description | Quantity | Unit |
|-----|-------|---------------------------|----------|-------|
| 1 | | 1103PS Vacuum w/ Pre-Sep | 1 | PC |
| 2 | S8016 | D50 S wands | 1 | PC |
| 3 | C2031 | D70/50 reducer | 1 | PC |
| 4 | S8008 | D50 EVA anti stactic hose | 7.5 | Meter |
| 5 | S8006 | D50 hose cuff | 1 | PC |
| 6 | S8004 | D50 floor brush | 1 | PC |

1103PS

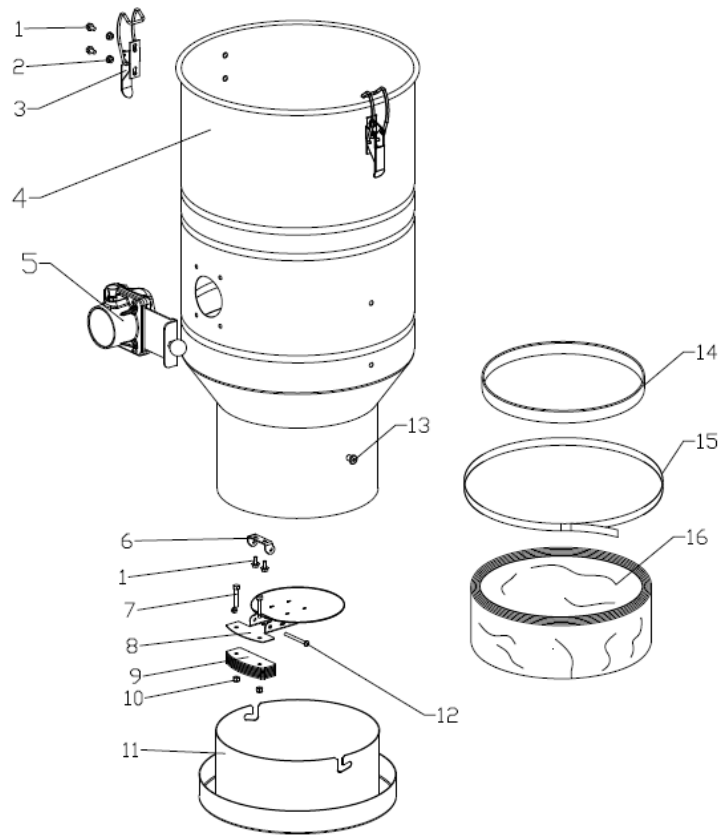
Engine kit



| S/N | P/N | Description | QTY | Dimension | Note |
|-----|-------|---------------------------------------|-----|---------------------------------------|------|
| 1 | C3002 | Guide plate | 1 | | |
| 2 | S2006 | Cord with electricity plug | 1 | 3*2.0/8 meters length -RVV-US plug | 110V |
| 3 | S0006 | Connector | 1 | | |
| 4 | C3001 | Motor cover | 1 | | |
| 5 | S1002 | Signal light | 1 | | |
| 6 | S1001 | Switches | 3 | | |
| 7 | C3003 | Top fixed plate | 1 | | |
| 8 | S1009 | Line bank | 1 | | |
| 9 | S1037 | Single phase motor | 3 | 120V 800W | |
| 10 | C3007 | Antiseismic ring | 6 | | |
| 11 | C3004 | Bottom fixed plate | 1 | | |
| 12 | C3012 | Six foots plate | 3 | | |
| 13 | C3009 | Lever (for jet pulse filter cleaning) | 1 | | |
| 14 | C3010 | Lever holder | 1 | | |

1103PS

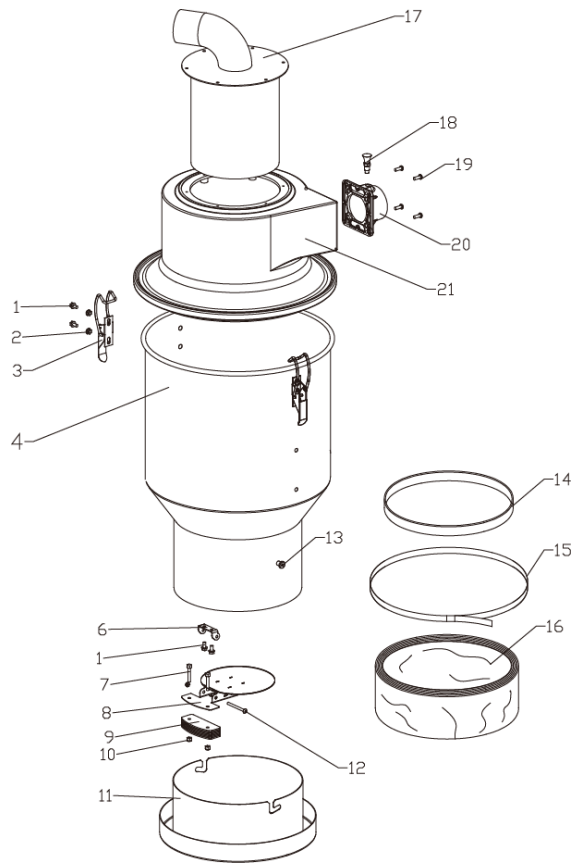
Dustbin kit



| S/N | P/N | Description | Qty | Dimension | Note |
|-----|-------|----------------------|-----|-----------|-----------------|
| 1 | S0010 | Bolt | 6 | M6*12 | |
| 2 | S0011 | Nut | 4 | M6 | |
| 3 | S0059 | Holder kit | 2 | | |
| 4 | C2081 | 1103PS barrel | 1 | | |
| 5 | B0008 | D70 inlet | 1 | | |
| 6 | C2092 | Falling plate holder | 1 | | |
| 7 | S0023 | Bolt | 2 | M6*35 | |
| 8 | C2090 | Falling plate | 1 | | |
| 9 | C2091 | Balancing weight | 6 | | |
| 10 | S0013 | Nut | 2 | M6 | |
| 11 | C2084 | Longo-Pac Holder | 1 | | |
| 12 | S0028 | Bolt | 2 | M6*60 | |
| 13 | S0089 | Nut | 2 | M8*15 | |
| 14 | S0090 | Rubber ring | 1 | | |
| 15 | S8035 | Longo-Pac | 1 | | With nylon tape |
| 16 | S8036 | Sealed ring | 1 | | |

Attached Pre-Separator

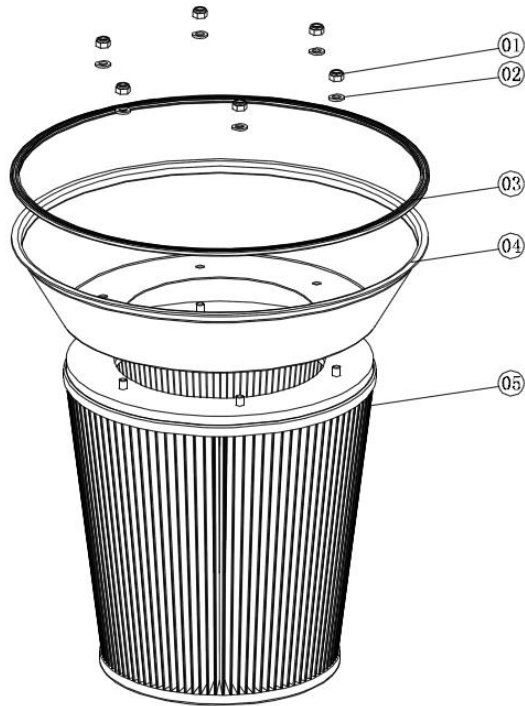
Dustbin Kit



| S/N | P/N | Description | Qty | Dimension | Note |
|-----|-------|----------------------|-----|-----------|-----------------|
| 1 | S0010 | Bolt | 6 | M6*12 | |
| 2 | S0011 | Nut | 4 | M6 | |
| 3 | S0059 | Holder kit | 2 | | |
| 4 | C2081 | Pre-Sep barrel | 1 | | |
| 5 | B0008 | D70 inlet | 1 | | |
| 6 | C2092 | Falling plate holder | 1 | | |
| 7 | S0023 | Bolt | 2 | M6*35 | |
| 8 | C2090 | Falling plate | 1 | | |
| 9 | C2091 | Balancing weight | 6 | | |
| 10 | S0013 | Nut | 2 | M6 | |
| 11 | C2084 | Longo-Pac holder | 1 | | |
| 12 | S0028 | Bolt | 2 | M6*60 | |
| 13 | S0089 | Nut | 2 | M8*15 | |
| 14 | S0090 | Rubber ring | 1 | | |
| 15 | S8035 | Longo-Pac | 1 | | With nylon tape |
| 16 | S8036 | Sealed ring | 1 | | |
| 17 | C2017 | Separator bend | 1 | | |
| 18 | C2022 | Index plunger | 1 | | |
| 19 | S0022 | Bolt | 4 | M6*20 | |

1103PS

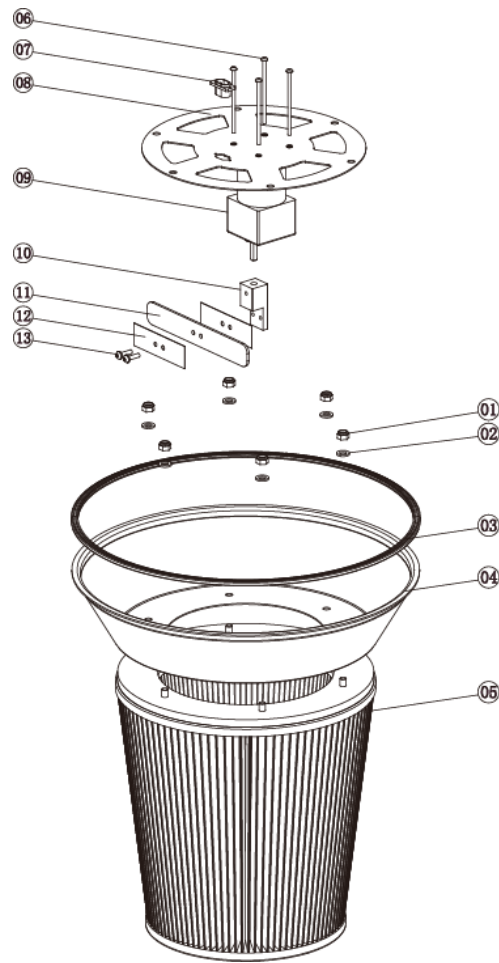
Filter kit



| S/N | P/N | Description | Qty | Dimension |
|-----|-------|------------------|-----|-----------|
| 1 | S0014 | Nut | 6 | M8 |
| 2 | S0043 | Plain washer | 6 | M8 |
| 3 | C2062 | S3 filter plate | 1 | |
| 4 | C3018 | 420 sealed ring | 1 | |
| 5 | S8024 | 325 – 330 Filter | 1 | |

1103PS

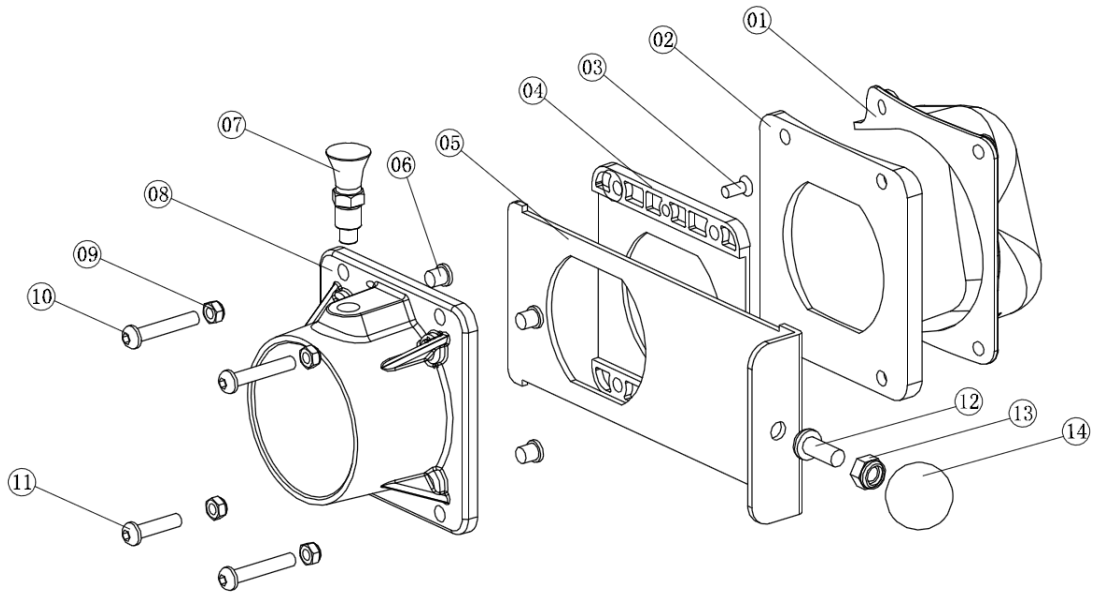
Filter Kit



| S/N | P/N | Description | Qty | Dimension | Note |
|-----|-------|-----------------------------------|-----|-----------|------|
| 1 | S0014 | Nut | 6 | M8 | |
| 2 | S0043 | Plain washer | 6 | M8 | |
| 3 | C2062 | S3 filter plate | 1 | | |
| 4 | C3018 | 420 sealed ring | 1 | | |
| 5 | S8012 | Filter | 1 | | |
| 6 | S0035 | Bolt | 4 | M4*85 | |
| 7 | S1039 | AC power outlet | 1 | | |
| 8 | C2012 | Filter cleaning motor fixed plate | 1 | | |
| 9 | S1040 | Deceleration motor | 1 | | |
| 10 | C2069 | Pick fixed block | 1 | | |
| 11 | C2071 | POM pick | 1 | | |
| 12 | C2070 | Metal shrapnel | 2 | | |
| 13 | S0022 | Bolt | 2 | M6*20 | |

1103PS

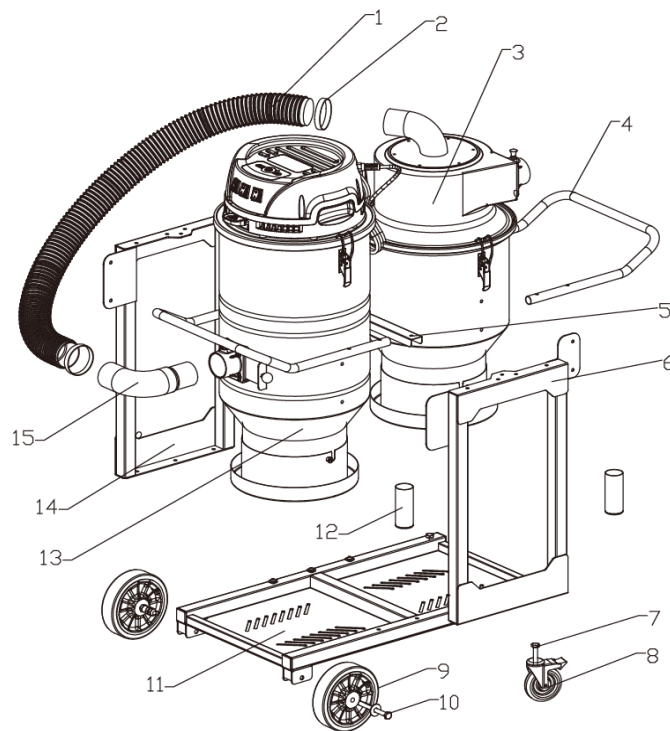
Inlet kit



| S/N | P/N | Description | Quantity | Dimension | Note |
|-----|-------|---------------------|----------|-----------|------|
| 1 | C3022 | D70 inner suction | 1 | | |
| 2 | C3023 | D70 inlet pad | 1 | | |
| 3 | S0075 | Philip's head screw | 2 | M5*10 | |
| 4 | C3019 | Slideway | 1 | | |
| 5 | C2043 | Baffle | 1 | | |
| 6 | S0076 | Copper touch bead | 4 | | |
| 7 | C2022 | Index plunger | 1 | | |
| 8 | C3021 | D70 outer suction | 1 | | |
| 9 | S0013 | Nut | 4 | M6 | |
| 10 | S0013 | Bolt | 3 | M6*35 | |
| 11 | S0022 | Bolt | 1 | M6*20 | |
| 12 | S0024 | Bolt | 1 | M8*20 | |
| 13 | S0014 | Nut | 1 | M8 | |
| 14 | S0077 | Ball knob | 1 | M8*30 | |

1103PS

Supporting Frame



| S/N | P/N | Description | Qty | Dimension | Note |
|-----|-------|-----------------------------------|-----|-----------|------|
| 1 | S9019 | 40 square tube blocker | 4 | | |
| 2 | C2082 | 1103PS handle | 1 | | |
| 3 | C2100 | 1103PS right stand column | 1 | | |
| 4 | S0093 | Safety latch | 1 | | |
| 5 | S0095 | Gas spring | 2 | | |
| 6 | C2096 | 1103PS continuous bag holder | 1 | | |
| 7 | S0015 | Nut | 2 | M10 | |
| 8 | S9009 | 6' ' rear wheel | 2 | | |
| 9 | S0032 | Bolt | 2 | M10*60 | |
| 10 | C2088 | 1103PS bed plate | 1 | | |
| 11 | S9008 | 5' ' universal band wheel | 2 | | |
| 12 | S0034 | Bolt | 2 | M12*75 | |
| 13 | C2083 | Nylon cable tie storage container | 1 | | |
| 14 | C2099 | 1103PS right stand column | 1 | | |
| 15 | C2103 | Lifing wheel fixed plate - 1 | 2 | | |
| 16 | S0096 | Index plunger | 1 | M16-10 | |
| 17 | S0027 | Bolt | 8 | M8*65 | |
| 18 | C2104 | Lifing wheel fixed plate-2 | 2 | | |
| 19 | C2089 | Lifing wheel | 8 | | |